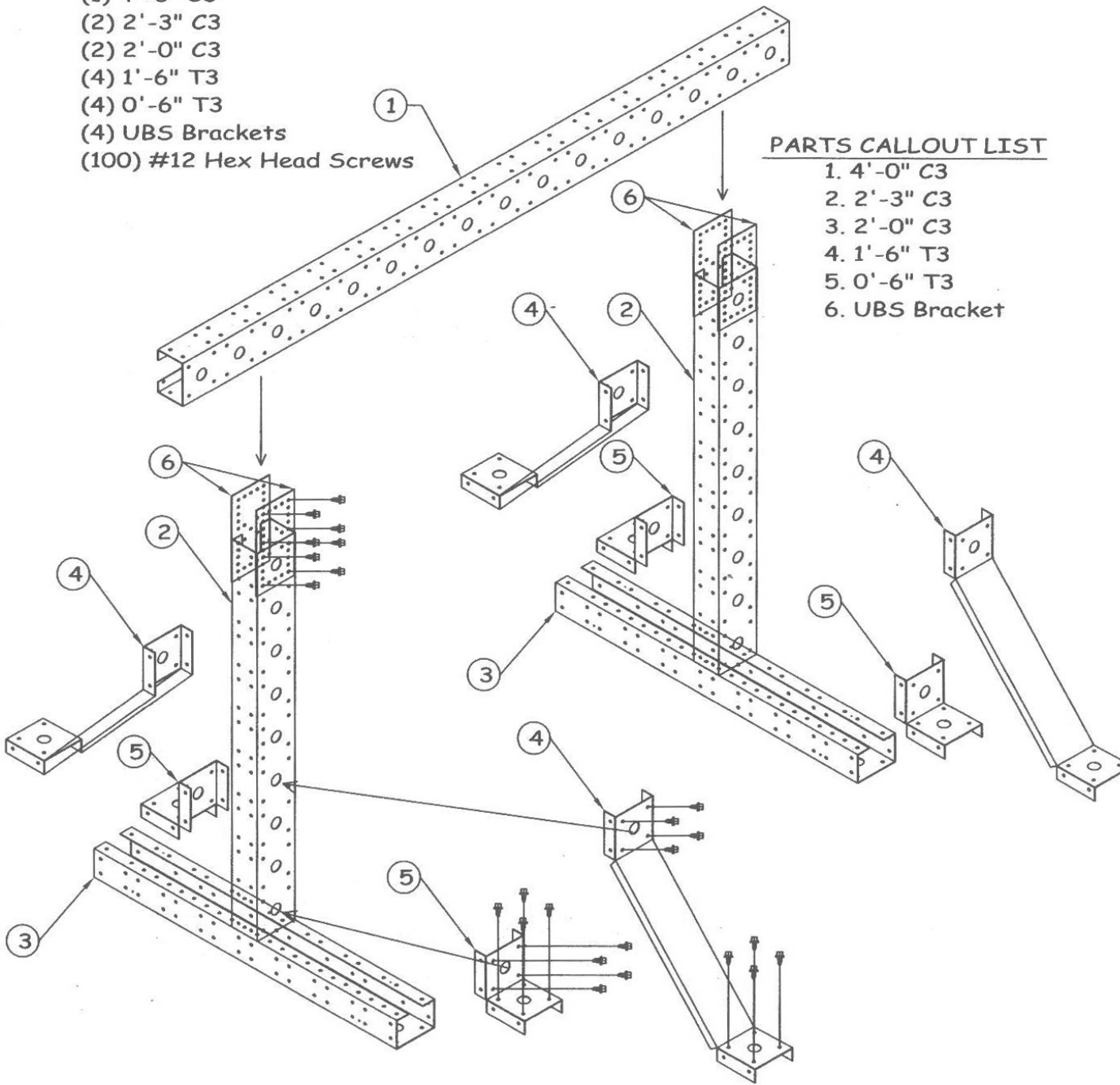


Saw Horse Parts List:

- (1) 4'-0" C3
- (2) 2'-3" C3
- (2) 2'-0" C3
- (4) 1'-6" T3
- (4) 0'-6" T3
- (4) UBS Brackets
- (100) #12 Hex Head Screws

PARTS CALLOUT LIST

- 1. 4'-0" C3
- 2. 2'-3" C3
- 3. 2'-0" C3
- 4. 1'-6" T3
- 5. 0'-6" T3
- 6. UBS Bracket



© 2004 UNIVERSAL STEEL SERVICES, INC.

**UNIVERSAL
STEEL SERVICES**

WAUCHULA, FLORIDA

**SAWHORSE
ASSEMBLY
DRAWING**

Date:
4/01/04

Drawn By:
LSH

Check By:
WW

Project No.
HOUSE

Sheet No.

SH1